

# Antenna, Whip Hinge

## ERF4072

### Description

The ERF4072 Antenna is a black 2.4 GHz antenna with a hinged design and a RP-SMA (Male) connector. The hinged design enables the antenna to be positioned at its most suitable angle with a maximum of 90°. The antenna can be used for applications such as, M2M, WiFi, Bluetooth and ZigBee.



### Technology

- WiFi
- Bluetooth
- ZigBee
- ISM

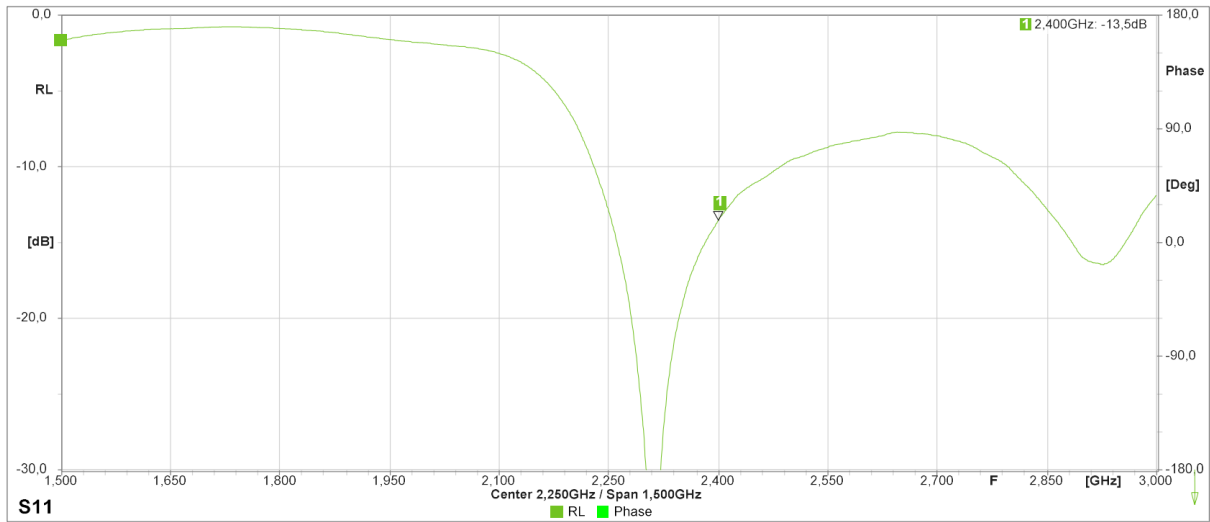
### Features

Electrical Properties	Description		
Frequency marker	Frequency band MHz	Return loss dB	V.S.W.R.
1	2.400	-13.5	< 1.5
Nominal Impedance		50 Ω	
Polarization		Vertical	
Gain		2 dBi	

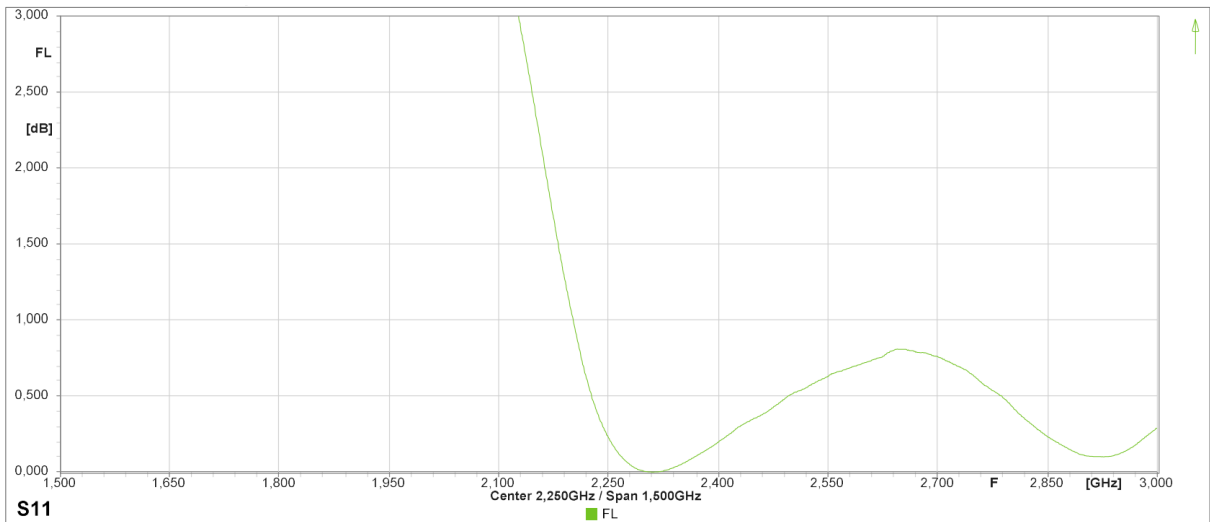
Mechanical Properties	Description
Antenna	External Whip Antenna
Mounting	Terminal Screw connector
Connector	RP-SMA (Male)
Dimensions	104 mm ± 2.0
Color	Black
Operating Temperature	-20°C~+60°C
Storage Temperature	-30°C~+70°C

## Antenna Properties

### Return Loss



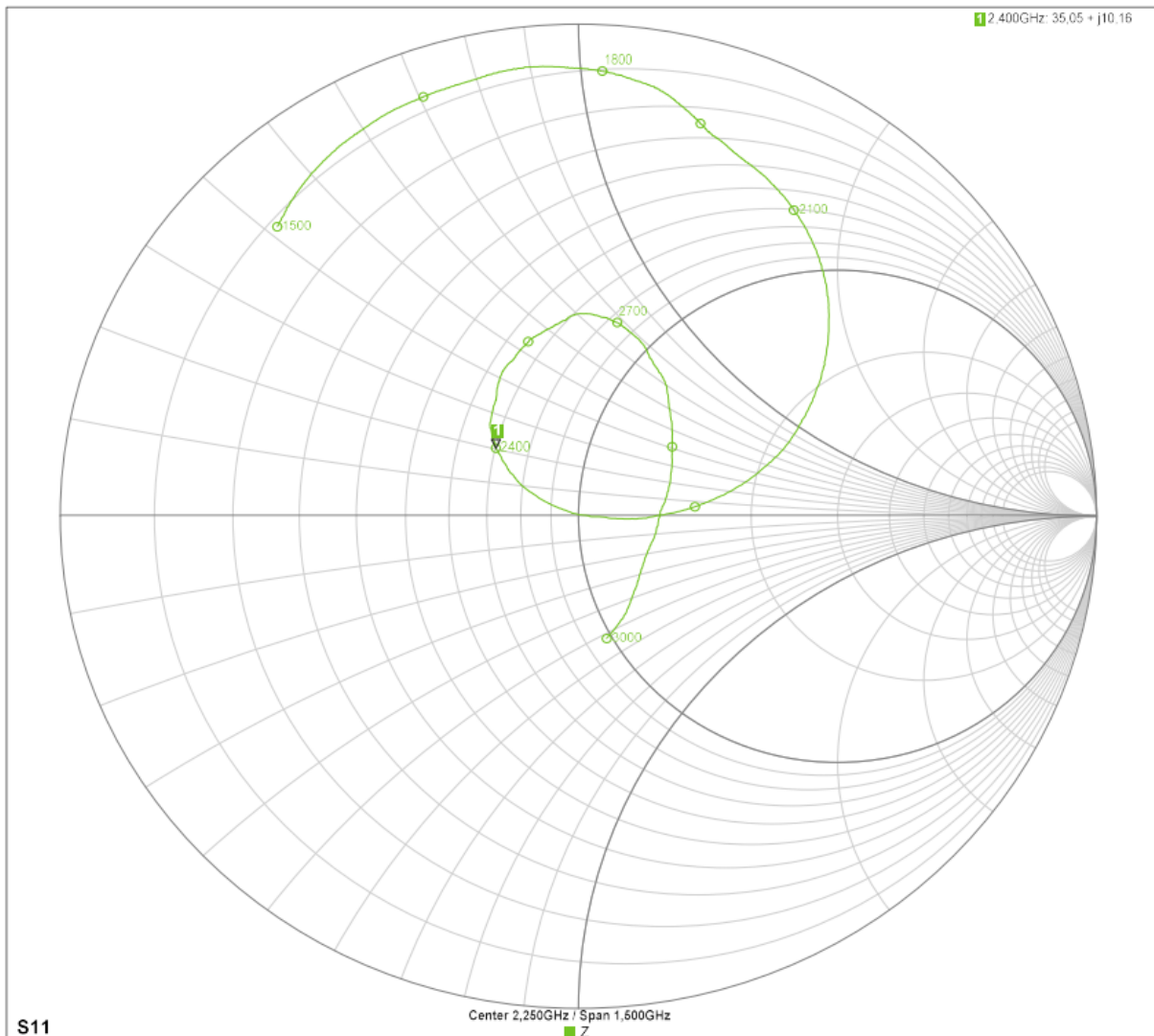
### Forward Loss



# Antenna, Whip Hinge

ERF4072

Impedance

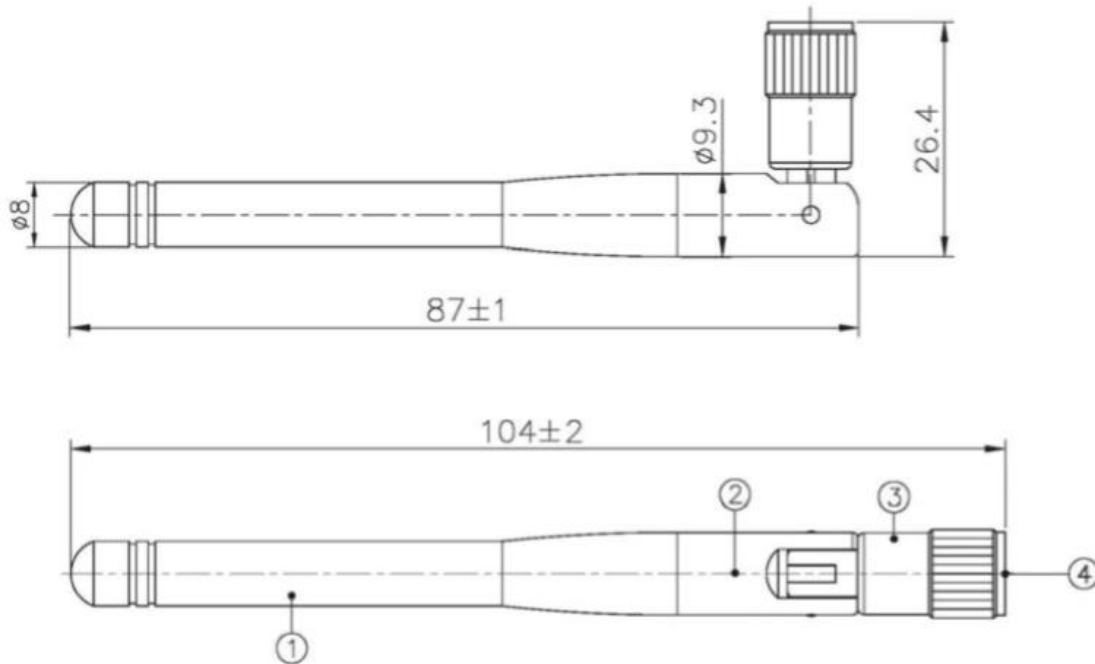


## Dimensions

\*unit: mm

# Antenna, Whip Hinge

ERF4072



## Connectors



**SMA Male**



**SMA Female**



**RP-SMA Male**



**RP-SMA Female**

The ERF4072 antenna uses the RP-SMA Male connector.

## Ordering information

Ordering can be done via [www.summit-electronics.com](http://www.summit-electronics.com) or via [info@summit-electronics.com](mailto:info@summit-electronics.com). Please contact us for more information. Customisation of the product is available on request.

## Technical support

For all product questions please contact us via [info@summit-electronics.com](mailto:info@summit-electronics.com)

# Antenna, Whip Hinge

ERF4072



---

## Document revision

Rev	Date	changes
V01.00	06-04-2023	First issue of document